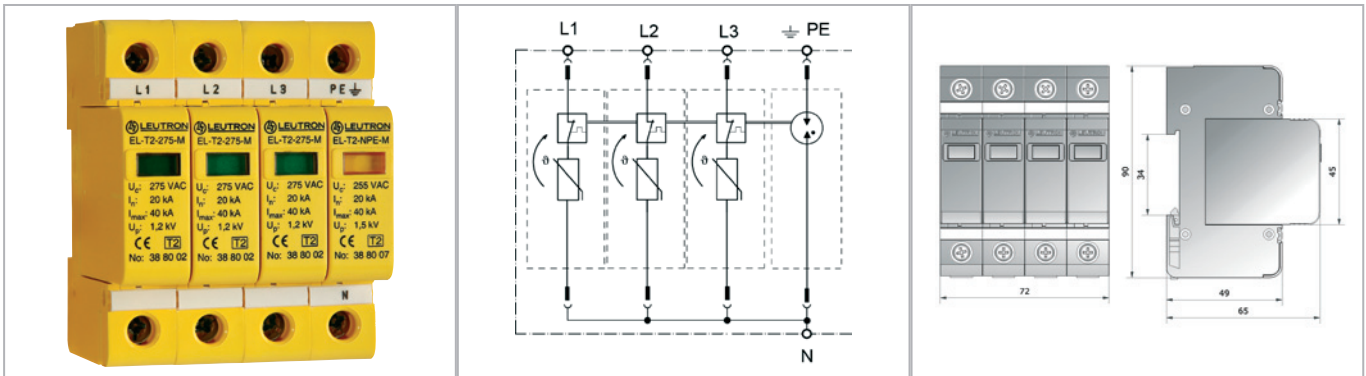


Datasheet

Surge protection for power supply systems

SPD type 2 for AC power supplies / EL series



Fully pluggable surge protective arrester for the use in three-phase TT and TNS systems.

- Test standard: IEC 61643-1 / EN 61643-11
- Vibration test standard: DIN EN 60068-2-6, IEC 60068-2-6
- Shock test standard: DIN EN 60068-2-27, IEC 60068-2-27
- Mounting on 35 mm DIN rail
- Optional remote changeover contact
- 3+1 circuit

Technical Data EL-T2/3+1-275

IEC category/EN type		Type 2 / class II
Nominal alternating voltage (50/60Hz)	UN	230 V~
Max. continuous operating voltage AC (50/60Hz)	Uc	275 V~
Nominal discharge current (8/20)	In	20 kA
Max. impulse discharge current (8/20µs)	I _{max}	40 kA
Protection level at In	Up	≤ 1,2 kV
Protection level at 5 kA	Up	≤ 0,9 kV
Protection level N-PE	Up	≤ 1,5 kV
Follow current quenching capacity AC N-PE	I _{fi}	100 Aeff
Short-circuit withstand capability at max. back-up fuse	I _k	25 kAeff
Max. allowed prefuse		125 A gL/gG
Operating temperature range	TU	-40 - +80 °C
Min. conductor cross section at terminals		1.5mm ² solid/flexible
Max. conductor cross section		35mm ² stranded/25mm ² flexible
Enclosure material / colour		Thermoplastic, yellow, UL 97 V-0
Degree of protection (IEC EN 60529)		IP 20
Dimension (DIN 43880)		4 TE

Order Data

Product	EL-T2/3+1-275
Article-No.	38 81 23